

7.3

<http://tiny.cc/7seriesEN>


LIFT CAPACITY 1550 kg	ENGINE POWER 35 hp	SPEED 15 km/h	FLOW RATE 68 l/min	LIFT HEIGHT 2,9 m
------------------------------------	---------------------------------	----------------------------	---------------------------------	--------------------------------

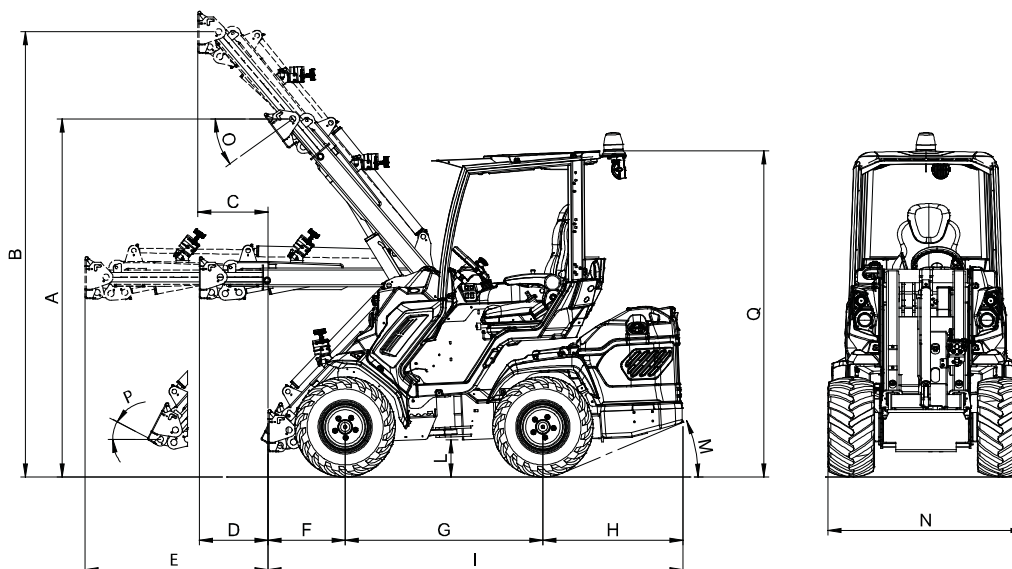
Model	7.3
Engine	Yanmar 3TNV82
Power (Iso Gross)	35 HP / 26 kW
Fuel	Diesel
Transmission	Hydrostatic
Drive speed (max.)	15 km/h (9.3 mph)
Aux. hydraulics oil flow	68 l/min (17.9 gal/min)
Max. lifting height	2,90 m (114 in)
Max lifting capacity (w/backweights)	1550 kg (3417 lbs)
Breakout force / 50 cm	1700 kg (3748 lbs)
Pushing force (c)	1300 kgf (1300 kp)
Specific ground pressure (w/standard tires)	1154 kg/m ² (2544 lbs/sqft)
Turning radius: inside/outside	825/2090 mm (32.5/82.3 in)
Standard tires (Tractor profile)	23X10.50-12
Weight	1670 kg (3682 lbs)
Product Code	C962000
Price	Get a Quote

Features

- 4WD hydrostatic Direct Drive motors
- DBS (Dynamic Block System)
- Torque divider
- Self-levelling double-H telescopic boom
- 11-functions joystick
- Multi-disk parking brake
- Integrated backweight
- Radial Piston Wheel motor
- Hydraulic oil cooler
- Hydraulic multiconnector
- ROPS-FOPS Level I
- LCD graphic display with programmed service (tachometer, hour meter, fuel gauge, maintenance light, light indicator and other 14 indicators)
- 2 front working light
- Ergonomic full adjustable suspension seat with armrests and safety belt.

Tires size	Width (N)	Height (Q)
23X10.50-12	1130 mm (44.5 in)	2000 mm (78.7 in)
26X12.00-12	1300 mm (51.2 in)	2040 mm (80.3 in)
27X8.50-15	1070 mm (42.1 in)	2080 mm (81.9 in)
27X10.50-15	1150 mm (45.3 in)	2080 mm (81.9 in)
23X8.50-12	1070 mm (42.2 in)	2000 mm (78.7 in)

7.3 FEATURES AND OPTIONS



DIMENSIONS (mm / in)

A - Pivot point height (not extended boom)	2280 / 89.7	I - Machine length	2690 / 105.9
B - Pivot point height (extended boom)	2900 / 114	L - Ground clearance	210 / 8.3
C - Outreach with lifted boom (extended boom)	455 / 17.9	M - Angle of departure (with/without backweights)	15°/21°
D - Outreach with horizontal boom (not extended)	445 / 17.5	N - Max width (with standard tires)	1130 / 44.5
E - Outreach with horizontal boom (extended)	1185 / 46.6	O - Dump angle	36°
F - Front length	500 / 19.7	P - Rollback angle	29°
G - Wheelbase	1280 / 50.4	Q - Height (with standard tires)	2000 / 78.7
H - Rear length	910 / 35.8		

7.3 FEATURES AND OPTIONS

Options	Code	Price
Floating boom valve	C883011	Get a Quote
Luxury cabin (glass) with inner clothing	C883001	Get a Quote
Heating system	C883700	Get a Quote
Plexiglass windscreen (smart cabin)	C883000	Get a Quote
Plexiglass right side (smart cabin)	C883034	Get a Quote
Plexiglass back window (smart cabin)	C883035	Get a Quote
Led Road lights "Hella"	C883009	Get a Quote
3 aux. working led light "Hella"	C883018	Get a Quote
Automatic locking plate	C883008	Get a Quote
Attachment coupling plate for rear mounting	C880031	Get a Quote
3 lines multiconnector kit, to old quick coupling	C880221	Get a Quote
Trailer coupling	C885014	Get a Quote
Additional backweights (184 kg / 406 lbs)	C880054	Get a Quote
Back up alarm	C883021	Get a Quote
"Luxury" heated seat	C883006	Get a Quote
220 V engine block heater	C885250	Get a Quote
110 V engine block heater	C885255	Get a Quote
Left protection bar for operator	C883020	Get a Quote
Rear 12V electric socket	C883022	Get a Quote
Rear hydraulic outlets - single	C883013	Get a Quote
Rear hydraulic outlets - double	C883014	Get a Quote
Aux front hydraulic outlets	C883024	Get a Quote
Aux front and rear hydraulic outlets - double	C883025	Get a Quote
Wheel spacer 10 mm (0.2 in) (max. 1 pcs for wheel)	C880090	Get a Quote
Wheel spacer 55 mm (2.2 in), set of 4	C885010	Get a Quote
Biodegradable oil	C883007	Get a Quote
Snow chains for wheel	see page 99	Get a Quote
Driver area cover	C883019	Get a Quote